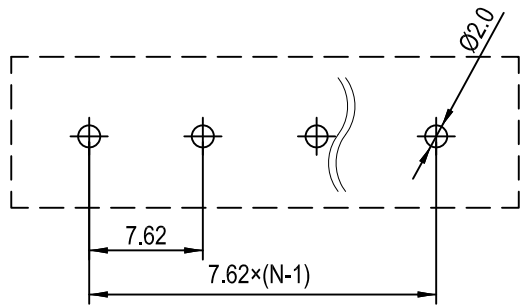
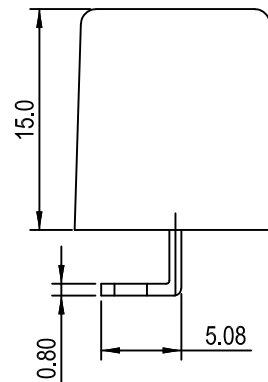
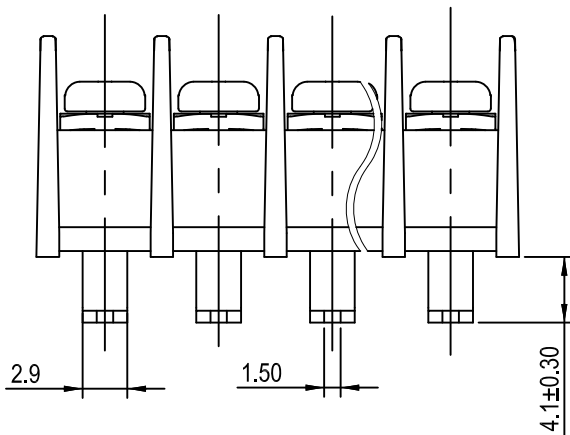
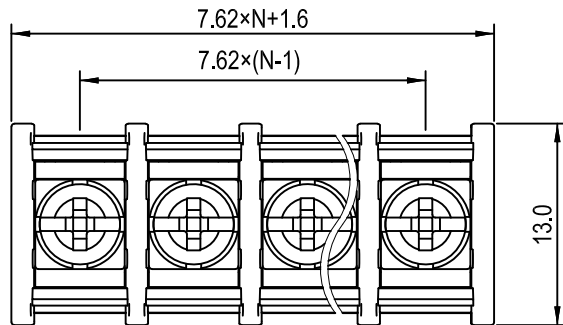


linear dimension(Tolerances Standard GB/T 14486-2008)								—		
variable range	to	over 6 to 10	over 10 to 30	over 30 to 60	over 60 to 100	over 100 to 160	over 160 to	to	over 10 to 100	over 100 to
	6	10	30	60	100	160		10	100	
tolerance	±0.20	±0.30	±0.50	±0.70	±1.00	±1.30	±1.60	0.10	0.30	0.60



PCB LAYOUT



REVISION RECORD				
REV.	DESCRIPTION	ECN NO.	APPROVE	DATE
A	新发行		YXW	2021. 2. 25

UL/CUL 技术参数 UL/CUL Technical Data			
等级 Use Group	B	C	D
额定电压 Rated Voltage (V)	300	-	-
额定电流 Rated Current (A)	20	-	-
接线范围 Wire Range 单/多芯线 Solid/Stranded (AWG)	24-12		
耐电压 withstanding VOLTAGE	2000V/Min		
IEC 技术参数 IEC Technical Data			
过电压类别 Overvoltage Category	III	II	I
污染等级 Contamination Class	-	2	2
额定电压 Rated Voltage (V)	-	300	
额定电流 Rated Current (A)	-	20	
额定冲击电压 Impulse Withstand voltagea (KV)	-	-	-
导线截面积 Conductor cross section 硬质/柔性导线 Solid/flexible (mm ²)	-		
材 料 Material			
绝缘材料 Insulation Material	PA66		
阻燃等级 Lmflammability	UL94V-0		
导体材料 Contactor Material	铜合金 Copper alloy		
导体表面镀层 Contactive Coating	镀锡 Tin plated		
一般参数 Other Data			
间距 Pitch (mm)	7.62		
极 数 Poles (P)	2-24		
剥线长度 Stripping Length (mm)	-		
螺丝 Screw/扭矩 Torque (Max) (N. M)	M3.0/0.8		
工作温度 Operating temperatur (° C)	-40--+105		
引针尺寸 Pin Dimensions (mm)	-		
PCB板孔径 PCB Hole Diameter (mm)	2.0		

DES.	CLB	DATE	2021. 2. 25	单位/UNITS	MM	时间/SIZE	A4	比例/SCALE	1:1	第三视角/THIRD ANGLE PROJECTION	版本/REV	A
CHK.	LF	DATE	2021. 2. 25	宁波市旭骋电子有限公司 NINGBOSHI XUCHENG ELECTRONIC CO., LTD				名称/TITLE	XC25R-7.62			
APP.	YXW	DATE	2021. 2. 25									